

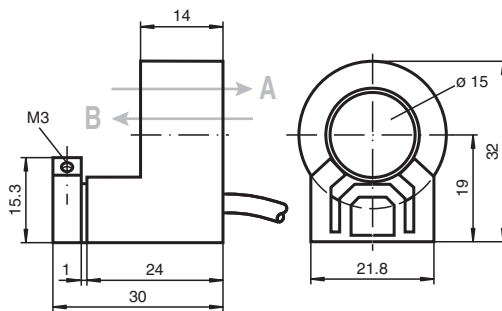
Inductive ring sensor

RC15-14-N3-Y115615

- 15 mm inside diameter
- Comfort series
- Bistable
- Direction detection



Dimensions



Technical Data

General specifications			
Switching function			Normally closed (NC)
Output type			NAMUR, bistable
Inside diameter			15 mm
Measuring cylinder			
Diameter			1/4" (6.250mm)
Measuring cone			Carboloy
Output type			2-wire
Nominal ratings			
Nominal voltage	U_o		8.2 V (R_i approx. 1 k Ω)
Operating voltage	U_B		5 ... 25 V
Hysteresis	H		typ. 1 %
Reverse polarity protection			reverse polarity protected
Current consumption			
Traverse B			3 mA
Passage B $U_B=8V$			≥ 3 mA
Passage B $U_B=10V$			≥ 4.2 mA
Traverse A			1 mA
Passage A $U_B=10V$			0.5 ... 1 mA typ. 0.9 mA
Passage A $U_B=8V$			0.5 ... 0.95 mA typ. 0.8 mA
Time delay before availability	t_v		≤ 5 ms
Functional safety related parameters			
MTTF _d			2240 a
Mission Time (T_M)			20 a
Diagnostic Coverage (DC)			0 %
Compliance with standards and directives			

Release date: 2023-01-27 Date of issue: 2023-01-27 Filename: 115615_eng.pdf

Refer to "General Notes Relating to Pepperl+Fuchs Product Information".

Pepperl+Fuchs Group
www.pepperl-fuchs.com

USA: +1 330 486 0001
fa-info@us.pepperl-fuchs.com

Germany: +49 621 776 1111
fa-info@de.pepperl-fuchs.com

Singapore: +65 6779 9091
fa-info@sg.pepperl-fuchs.com

PF PEPPERL+FUCHS

Technical Data

Standard conformity		
NAMUR		EN 60947-5-6:2000 IEC 60947-5-6:1999
Standards		EN 60947-5-2:2007 EN 60947-5-2/A1:2012 IEC 60947-5-2:2007 IEC 60947-5-2 AMD 1:2012
Approvals and certificates		
ATEX approval		
Equipment protection level Gb		PTB 99 ATEX 2128 X
UL approval		cULus Listed, General Purpose
CSA approval		cCSAus Listed, General Purpose
Ambient conditions		
Ambient temperature		0 ... 40 °C (32 ... 104 °F)
Mechanical specifications		
Connection type		cable PVC , 5 m
Core cross section		0.14 mm ²
Housing material		PBT
Degree of protection		IP67
Cable		
Bending radius		> 10 x cable diameter
General information		
Use in the hazardous area		see instruction manuals

Connection

